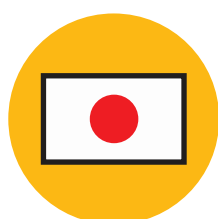


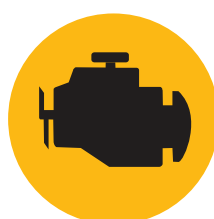
MOROOKA MST 800VD



MADE IN JAPAN



PAYLOAD



CATERPILLAR DIESEL

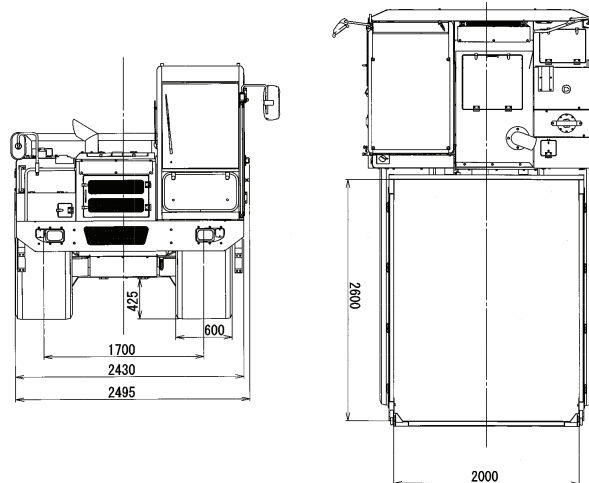
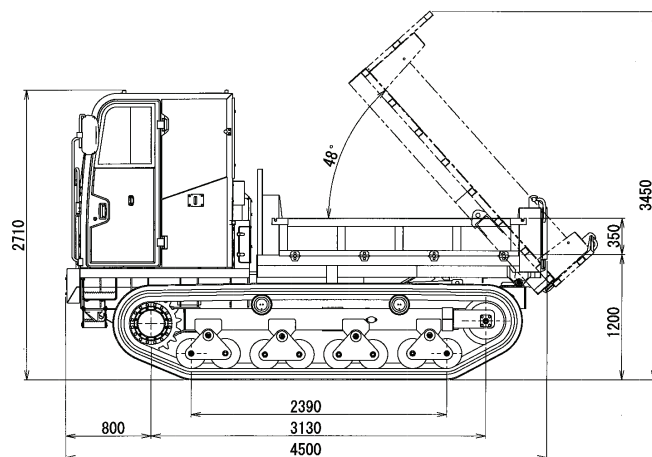


TRACK WIDTH

Specifications

Make	Morooka
Model	MST 800VD
Payload	4800kg
Unladen Weight	6500kg
Maximum Speed	11 KPH / 6.8 MPH
Engine Make & Model	CAT C4.4
Engine Type	4 cylinder liquid cooled diesel
Engine Power @ 2200rpm	96.5 KW / 129 HP
Ground Pressure Empty	22.2 KPA / 3.21 PSI
Ground Clearance	420 mm
Fuel Type	Diesel

MOROOKA
MST 800VD



Dimensions

Overall Length	4480 mm
Overall Width	2425 mm
Overall Height	2590 mm
Track Centres	1700 mm
Track Width	600 mm
Dump Body Length Internal	2600 mm
Dump Body Width Internal	1850 mm

