

CASE
CONSTRUCTION

CX C-SERIES HYDRAULIC EXCAVATORS

CX300C | CX350C | CX370C

TIER
4i



CX C-SERIES HYDRAULIC EXCAVATORS

CX300C | CX350C | CX370C

Clean power

Case C Series excavators use clean and efficient Tier 4 interim diesel engines.

Equipped with Cooled Exhaust Gas Recirculation (CEGR) and a diesel particulate filter, the engine is capable of meeting emissions regulations without the need for additional diesel exhaust fluids.

Automatic self-regeneration of the Diesel Particulate Diffusor (DPD) ensures no loss of productivity, while low engine rpm, improved hydraulic pump control and five new energy saving systems boost fuel economy by up to 10%.

A green economy gauge can be activated in the cab to inform the operator of the most economical settings for the machine, reporting fuel consumption in real-time.





CX C-SERIES HYDRAULIC EXCAVATORS

CX300C | CX350C | CX370C

Advanced energy management

Through the use of 5 new fuel saving functions, C series excavators speed up productivity and substantially improve fuel economy. The new systems include:

Boom Economy Control (BEC)

Increased fuel efficiency during boom lower and swing operations.

Automatic Economy Control (AEC)

Improved fuel efficiency when servo joysticks are in neutral position and the operator is not calling for power from the machine.

Swing Relief Control (SWC)

Carefully manages the hydraulic power distribution at slewing operations, to provide the most efficient flow and pressure.

Spool Stroke Control (SSC)

Creates an automatic pressure adjustment during digging and leveling operations.

It saves fuel, while improving controllability for the operator in fine digging operations.

Idle functions:

All C-series excavators also feature Auto Idle and Idle Shut Down systems.

When activated, Auto Idle automatically lowers engine revs, whatever the throttle position, when the levers have been inactive for 5 seconds.

Manually, Idle can be activated by a switch on the joystick. Idle shut down, when activated, shuts down the engine when there has been no activity for 3 minutes, resulting in additional fuel savings.





Increased productivity

As part of the Case Intelligent Hydraulic System all Case C Series excavators benefit from improvements in performance and productivity.

Lifting capacity is increased and cycle times have been cut. Individual operating weights are slightly increased to cope with the additional digging and loading forces, ensuring stable, consistent high production for the customer.

Bucket and boom down regeneration systems feed hydraulic oil back to the supply side of the pump, reducing the requirement for engine power.

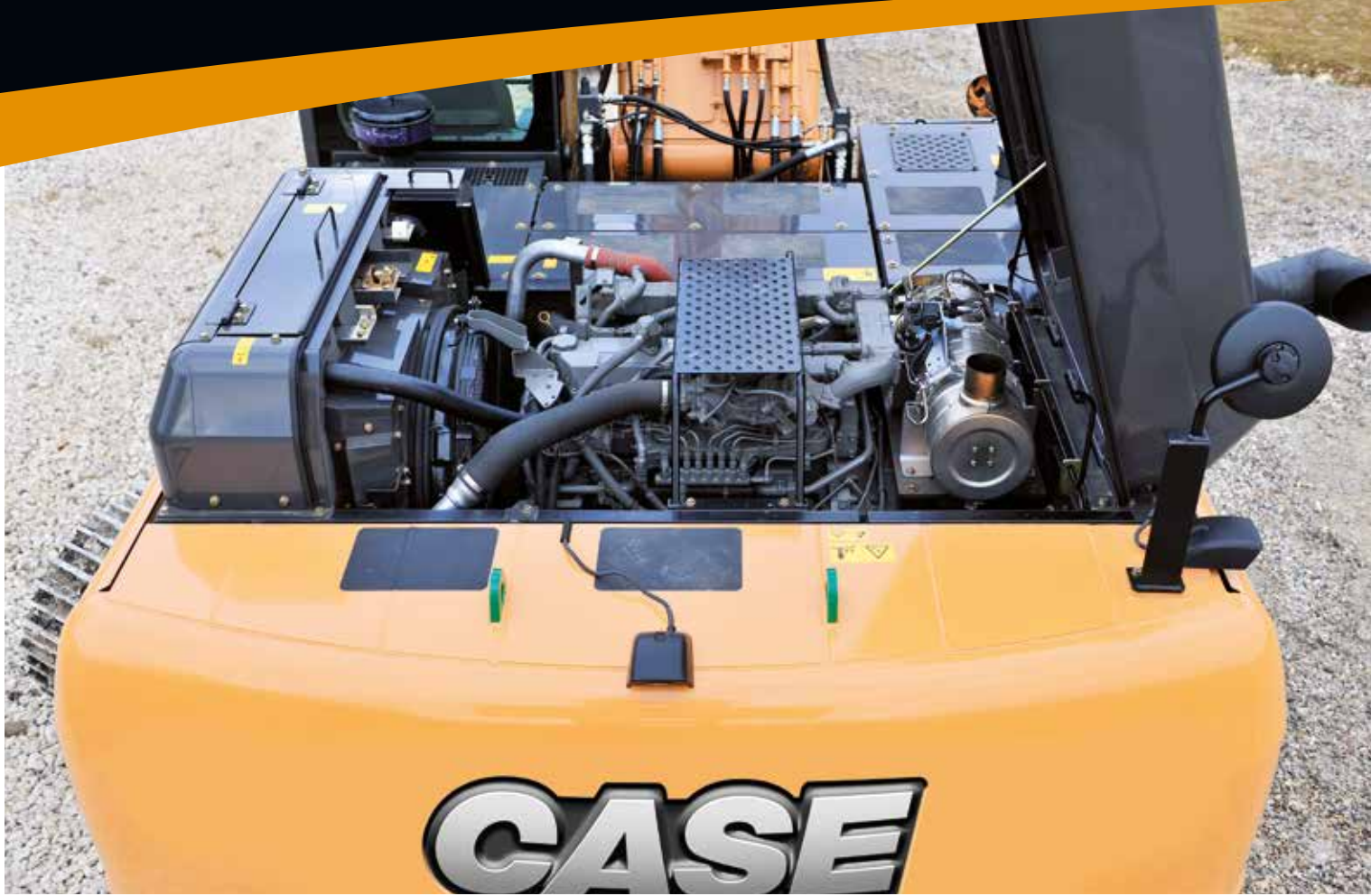
The C Series excavators use the familiar working mode control from the B Series machines, making it easy for the operator to become familiar with the new models. The Super Power Mode provides a 5% boost when required for maximum digging ability.

The new monitor in the C Series machines provides operators with the chance to pre-programme auxiliary hydraulic flow and power settings (option) for up to 10 attachments, providing rapid changeover and increased productivity.



CX C-SERIES HYDRAULIC EXCAVATORS

CX300C | CX350C | CX370C



Tier 4 interim - clean & efficient

The new Isuzu 6-cylinder engine meets EPA's Tier 4 interim without a need for additional diesel exhaust fluid.

The cooled exhaust gas recirculation (CEGR) in triple layer design effectively reduces NOx while PM is reduced by a diesel particulate filter (DPF) in combination with the variable geometry turbocharger.

A diesel oxidation catalyst (DOC) treats carbon monoxide, hydrocarbons and other compounds. Both components are integrated in the DPD (Diesel Particle Diffuser). Automatic self regeneration speeds your productivity - you can go on working as usual without stopping for the regeneration process of the particle diffuser.

A look under the hood immediately confirms an extremely efficient use of space: the engine, the cooling system and the exhaust system are all designed and grouped so as to take advantage of all the available space, while also granting excellent serviceability and operator visibility. Low engine rpm in combination with further improved pump torque control and further 5 new energy saving systems reduces the fuel consumption further by up to 10%.

An ECO gauge can be activated on the new multifunction screen to inform you instantly about the key parameters concerning fuel economy and fuel consumption. Side by side coolers, intercooler and the fuel cooler are now even more efficient thus further increasing our well appreciated durability.



First class serviceability

All filters and regular fill points are grouped for easy access, with engine oil change intervals set at 500 hours. A synthetic filter is used for the hydraulic oil, providing 5,000 hour intervals, and all pins and bushes (except the bucket pin) use the Case Extended Maintenance System bushings, allowing greasing intervals of up to 1,000 hours.

The radiator and cooler cores are mounted side by side, to allow easy access for cleaning and more efficient cooling. A 100 litre/min refuelling pump with automatic cut off is provided as standard, reducing downtime for regular fills.

The Japanese-built Case excavators boast an enviable reputation for reliability and durability, which looks set to continue with the new C Series of CX class crawler excavators.

CX C-SERIES HYDRAULIC EXCAVATORS

CX300C | CX350C | CX370C

First class operator environment

The C Series cab is 7% larger than the previous models and uses a smaller top beam and no overlap in the front windows to offer improved all round visibility. Noise levels are reduced to almost automotive standards, around 70dB(A), while the operator has a suspension seat and fully adjustable levers as standard. Travel pedals require less effort, reducing fatigue for the operator.

The ROPS cab sits on new suspension mounts. To reduce vibration for the operator and contribute to the lower internal noise levels.

The cab has a powerful air conditioning system with 25% more airflow and an 8% increase in performance.

New mirrors and a standard rear view camera, with optional side camera, feed directly into the improved 178 mm LED monitor inside the cab, providing the operator with a safe and secure working environment.





Full colour multifunction monitor

The standard 178 mm LED monitor provides all of the information that the operator needs at a glance. Easy to use buttons guide the operator through the screen functions and the monitor can be split to show the standard rear view, and optional side view camera images.

Information includes working mode, travel speed, working lights, attachment choice, time and working hours, along with system data such as coolant and hydraulic oil temperatures, fuel level and the condition of the particulate filter and the auto-regeneration function.

When selected, the ECO gauge displays the function of the various energy saving systems, allowing the operator to maximise efficiency and save fuel.

The monitor can be set to work in one of 20 languages, and is also used by service technicians to access onboard diagnostic functions.



CX C-SERIES HYDRAULIC EXCAVATORS

CX300C | CX350C | CX370C





CX C-SERIES HYDRAULIC EXCAVATORS

CX300C

Specifications CX300C

Engine

Model _____ ISUZU AL-6HK1X
Type _____ Water-cooled, 4-cycle diesel, 6-cylinder in line,
Electronically controlled, high pressure common rail system, variable
geometry turbocharger, air cooled intercooler, triple exhaust gas
recirculation, DPD system with auto-regeneration. Tier 4 interim
certified.
Number of cylinders/displacement _____ 6/7.79l
Bore/Stroke _____ 115 x 125 mm
Horsepower 80/1269/EEC _____ 154 kw @ 1800 min⁻¹
Maximum torque 80/1269/EEC _____ 900 Nm @ 1500 min⁻¹

Hydraulic system

Max oil flow _____ 2 x 243 l/min @ 1800 min⁻¹
2 variable displacement axial piston pumps with regulating system
Boom/Arm/Bucket _____ 37.3 MPa
Swing circuit _____ 29.4 MPa
Travel _____ 34.3 Mpa

Swing

Max upperstructure swing speed _____ 10 rpm

Travel

Travel motor _____ Variable displacement axial piston motor
Max travel speed _____ 5.4 km/h (Automatic travel speed shifting)
Low travel speed _____ 3.2 km/h
Gradeability _____ 70% (35°)
Drawbar pull _____ 233 kN

Electrical system

Circuit _____ 24 V 5.0 kW
Alternator _____ 50 Amp

Undercarriage

Number of carriers rollers (each side) _____ 2
Number of track rollers (each side) _____ 9
Number of shoes (each side) _____ 50
Type of shoe _____ Triple grouser shoe

Circuit and component capacities

Fuel tank _____ 450 l
Hydraulic system _____ 300 l
Cooling system _____ 30.8 l

Weight and ground pressure CX300C

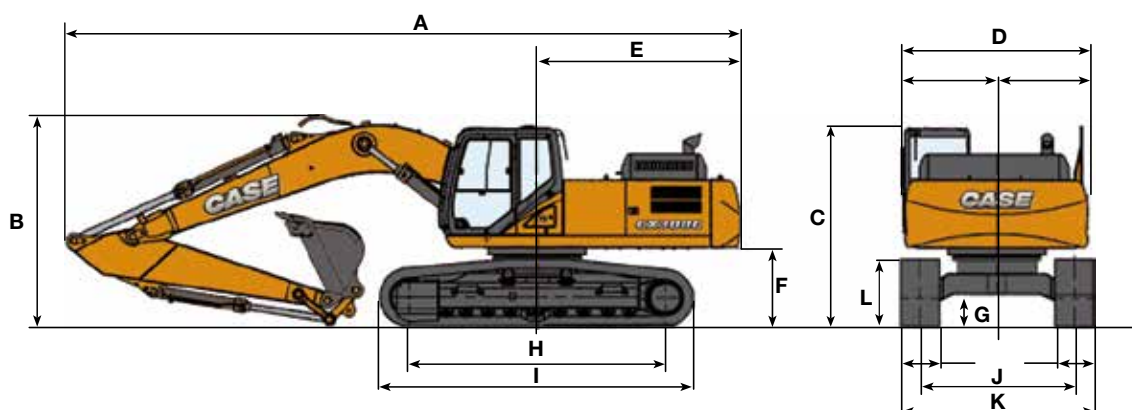
With 3.18 m Arm, 1.1 m³ bucket, operator, lubricant, coolant, full fuel tank and top guard OPG level 2

CX300C NLC	Weight (kg)	Ground pressure (MPa)
600 mm grouser shoe	29.400	0.057

CX300C LC	Weight (kg)	Ground pressure (MPa)
600 mm grouser shoe	29.500	0.057

General dimensions CX300C

With 6.15 m boom



LC/NLC	Arm 3.18 m	Arm 2.65 m	Arm 3.66 m
Overall length (without attachment)	5580 mm	5580 mm	5580 mm
A Overall length (with attachment)	10450 mm	10480 mm	10470 mm
B Overall height (with attachment)	3260 mm	3340 mm	3460 mm
C Cab height	3210 mm	3210 mm	3210 mm
D Upper structure overall width	2890 mm	2890 mm	2890 mm
E Swing (rear end radius)	3160 mm	3160 mm	3160 mm
F Clearance height under upper structure	1180 mm	1180 mm	1180 mm
G Minimum ground clearance	470 mm	470 mm	470 mm
H Wheel base (Centre of idler to centre of sprocket)	3980 mm	3980 mm	3980 mm
I Crawler overall length	4850 mm	4850 mm	4850 mm
L Crawler tracks height	1040 mm	1040 mm	1040 mm

LC	Arm 3.18 m	Arm 2.65 m	Arm 3.66 m
J Track gauge	2600 mm	2600 mm	2600 mm
K Undercarriage overall width (with 600 mm shoes)	3200 mm	3200 mm	3200 mm

NLC	Arm 3.18 m	Arm 2.65 m	Arm 3.66 m
J Track gauge	2390 mm	2390 mm	2390 mm
K Undercarriage overall width (with 600 mm shoes)	2990 mm	2990 mm	2990 mm

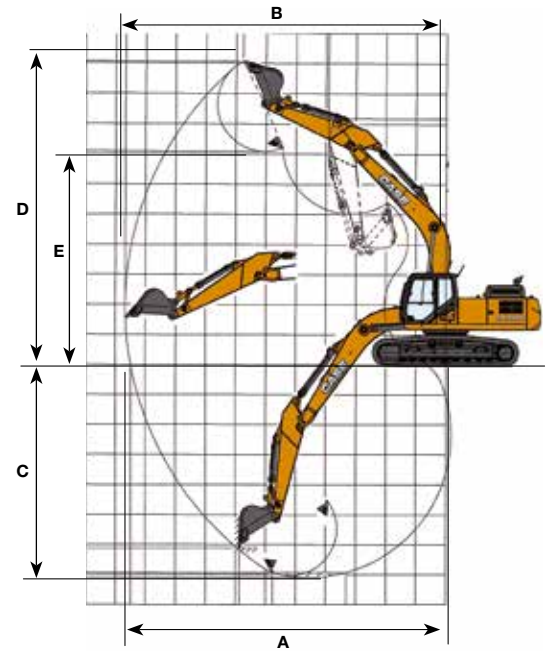
CX C-SERIES HYDRAULIC EXCAVATORS

CX300C

Performance data CX300C

With 6.15 m boom

	Arm 3.18 m	Arm 2.65 m	Arm 3.66 m
Boom length	6150 mm	6150 mm	6150 mm
Bucket radius	1570 mm	1570 mm	1570 mm
Bucket wrist action	176°	176°	176°
A Maximum reach at GRP	10500 mm	10040 mm	10990 mm
B Maximum reach	10670 mm	10220 mm	11160 mm
C Max. digging depth	7100 mm	6570 mm	7580 mm
D Max. digging height	10060 mm	9930 mm	10390 mm
E Max. dumping height	7090 mm	6940 mm	7390 mm
Arm digging force	132.4 kN	153.0 kN	118.7 kN
Bucket digging force	190.2 kN	190.2 kN	190.2 kN



Lifting capacity CX300C

Front 360°	REACH							m
	1.5 m	3.0 m	4.5 m	6.0 m	7.5 m	9.0 m	At max reach	

LC - Standard arm. 2.65 m arm length, 1.3 m³ bucket, 600G shoes, max reach 9.87 m

7.5 m								5800*	5610			4190*	4190*	8.16	
6.0 m								6720*	5530	4400*	3930	4070*	3880	9.06	
4.5 m				9470*	9470*	8690*	7740	7690*	5340	5960	3870	4090*	3410	9.60	
3.0 m				13470*	11520	10250*	7320	7910	5120	5830	3760	4250*	3180	9.84	
1.5 m				15650*	10670	11010	6920	7660	4900	5710	3640	4510*	3130	9.83	
0 m			7580*	7580*	16490*	10200	10670	6620	7470	4730	5610	3550	4940*	3230	9.57
-1.5 m	8530*	8530*	11140*	11140*	16390*	10170	10530	6510	7390	4660	5610	3550	5550	3510	9.05
-3.0 m	11720*	11720*	15760*	15760*	15280*	10290	10580	6570	7470	4750			6440	4090	8.24
-4.5 m			17630*	17630*	12880*	10560	9530*	6820					6970*	5270	7.05

NLC - Standard arm. 2.65 m arm length, 1.3 m³ bucket, 600G shoes, max reach 9.87 m

7.5 m								5800*	5130			4190*	4190*	8.16	
6.0 m								6720*	5050	4400*	3570	4070*	3520	9.06	
4.5 m				9470*	9470*	8690*	7070	7690*	4870	5940	3510	4090*	3080	9.60	
3.0 m				13470*	10400	10250*	6660	7890	4650	5820	3400	4250*	2860	9.84	
1.5 m				15650*	9580	10980	6260	7640	4440	5690	3280	4510*	2810	9.83	
0 m			7580*	7580*	16490*	9130	10640	5970	7450	4270	5600	3200	4940*	2900	9.57
-1.5 m	8530*	8530*	11140*	11140*	16390*	9090	10500	5860	7370	4190	5590	3190	5530	3160	9.05
-3.0 m	11720*	11720*	15760*	15760*	15280*	9220	10560	5930	7450	4280			64300	3680	8.24
-4.5 m			17630*	17630*	12880*	9490	9530*	6180					6970*	4760	7.05

* Hydraulic capacity 87%

Lifting capacity CX300C

Front 360°	REACH											
	1.5 m	3.0 m	4.5 m	6.0 m	7.5 m	9.0 m	At max reach		m			

LC - Standard arm. 3.18 m arm length, 1.1 m³ bucket, 600G shoes, max reach 10.30 m

9.0 m													3520*	3520*	7.41
7.5 m									4150*	4150*			3260*	3260*	8.72
6.0 m									5760*	5630	4670*	4030*	3180*	3180*	9.56
4.5 m							8050*	7770*	7220*	5440	5760*	3940	3220*	3160	10.07
3.0 m			18430*	18430*	12890*	11800	9720*	7470	7940*	5200	5890	3810	3350*	2960	10.30
1.5 m			7250*	7250*	15500*	10900	11020	7020	7730	4960	5750	3670	3570*	2910	10.28
0 m			8260*	8260*	16370*	10300	10740	6670	7510	4760	5630	3560	3920*	2980	10.03
-1.5 m	8190*	8190*	10870*	10870*	16530*	10120	10520	6490	7380	4640	5570	3520	4500*	3210	9.54
-3.0 m	10620*	10620*	14510*	14510*	15800	10190	10530	6510	7400	4670			5500*	3670	8.78
-4.5 m	14220*	14220*	19620*	19620*	13920	10410	10350*	6680	7430	4800			6910*	4580*	7.66
-6.0 m			13980*	13980*	10160*	10160*	6810*	6770					6530*	6530*	6.04

NLC - Standard arm. 3.18 m arm length, 1.1 m³ bucket, 600G shoes, max reach 10.30 m

9.0 m													3520*	3520*	7.41
7.5 m									4890*	4890*			3260*	3260*	8.72
6.0 m									5760*	5160	4670*	3670*	3180*	3180*	9.56
4.5 m							8050*	7130*	7220*	4970	5760*	3580	3220*	2860	10.07
3.0 m			18430*	18430*	12890*	10710	9720*	6800	7920*	4730	5880	3450	3350*	2660	10.30
1.5 m			7250*	7250*	15500*	9800	11000	6360	7710	4490	5730	3220	3570*	2610	10.28
0 m			8260*	8260*	16370*	9220	10710	6020	7490	4290	5610	3210	3920*	2670	10.03
-1.5 m	8190*	8190*	10870*	10870*	16530*	9050	10500	5840	7360	4180	5560	3160	4500*	2880	9.54
-3.0 m	10620*	10620*	14510*	14510*	15800	9120	10500	5870	7380	4210			5500*	3300	8.78
-4.5 m	14220*	14220*	19620*	18390*	13920	9340	10350*	6040	7420	4340			6910*	4130*	7.66
-6.0 m			13980*	13980*	10160*	9480	6810*	6190					6530*	6090*	6.04

LC - Standard arm. 3.66 m arm length, 1.0 m³ bucket, 600G shoes, max reach 10.80 m

9.0 m															8.1
7.5 m									4360*	4360*	3450*	3450*			9.3
6.0 m									5390*	5390*	4470*	4080			10.09
4.5 m									6570*	5500	5210*	3970	2900*	2900*	10.56
3.0 m			10710*	10710*	11810*	11780	9130*	7570	7660*	5240	5910	3820	3790*	2850	10.78
1.5 m			9620*	9620*	14660*	11080	10600*	7080	7760	4970	5740	3670	4040*	2780	10.77
0 m	3580*	3580*	8340*	8340*	16140*	10340	10760	6680	7500	4740	5600	3530	3350*	2720	10.53
-1.5 m	7150*	7150*	10250*	10250*	16480*	10030	10480	6440	7330	4590	5510	3450			10.06
-3.0 m	9500*	9500*	13260*	13260*	16040*	10040	10430	6410	7310	4570	5550	3490			9.34
-4.5 m	12570*	12570*	18530*	18530*	14590*	10220	10450	6530	74000*	4730					8.30
-6.0 m			16230*	16230*	11570*	10410	8330*	6740							6.82

NLC - Standard arm. 3.66 m arm length, 1.0 m³ bucket, 600G shoes, max reach 10.80 m

9.0 m															8.1
7.5 m									4360*	4360*	3450*	3450*			9.3
6.0 m									5390*	5140	4470*	3710			10.09
4.5 m									6570*	5030	5210*	3610	2900*	2630	10.56
3.0 m			10710*	10710*	11810*	10870	9130*	6890	7660*	4770	5900	3460	3790*	2560	10.78
1.5 m			9620*	9620*	14660*	9970	10600*	6420	7740	4500	5730	3310	4040*	2480	10.77
0 m	3580*	3580*	8340*	8340*	16140*	9260	10730	6030	7480	4280	5580	3170	3350*	2430	10.53
-1.5 m	7150*	7150*	10250*	10250*	16480*	8950	10450	5790	7210	4120	5500	3090			10.06
-3.0 m	9500*	9500*	13260*	13260*	16040*	8980	10400	5760	7290	4110	5530	3130			9.34
-4.5 m	12570*	12570*	18530*	18340	14590*	9150	10430	5890	7380	4260					8.30
-6.0 m			16230*	16230*	11570*	9450	8330*	6150							6.82

* Hydraulic capacity 87%

CX C-SERIES HYDRAULIC EXCAVATORS

CX350C | CX370C

Specifications CX350C/CX370C

Engine

Model _____ ISUZU AL-6HK1X
Type _____ Water-cooled, 4-cycle diesel, 6-cylinder in line, Electronically controlled, high pressure common rail system, variable geometry turbocharger, air cooled intercooler, triple exhaust gas recirculation, DPD system with auto-regeneration. Tier 4 interim certified.
Number of cylinders/displacement _____ 6/7.79l
Bore/Stroke _____ 115 x 125 mm
Horsepower 80/1269/EEC _____ 198 kw @ 1900 min⁻¹
Maximum torque 80/1269/EEC _____ 1043 Nm @ 1500 min⁻¹

Hydraulic system

Max oil flow _____ 2 x 285 l/min @ 1900 min⁻¹
2 variable displacement axial piston pumps with regulating system
Boom/Arm/Bucket _____ 37.3 MPa
Swing circuit _____ 30.4 MPa
Travel _____ 34.3 Mpa

Swing

Max upperstructure swing speed _____ 9.7 rpm

Travel

Travel motor _____ Variable displacement axial piston motor
Max travel speed _____ 5.4 km/h (Automatic travel speed shifting)
Low travel speed _____ 3.2 km/h
Gradeability _____ 70% (35°)
Drawbar pull _____ 264 kN

Electrical system

Circuit _____ 24V
Alternator _____ 50 Amp

Undercarriage

Number of carriers rollers (each side) _____ 2
Number of track rollers (each side) _____ 8
Number of shoes (each side) _____ 48
Type of shoe _____ Triple grouser shoe

Circuit and component capacities

Fuel tank _____ 580 l
Hydraulic system _____ 350 l
Cooling system _____ 35.4 l

Weight and ground pressure

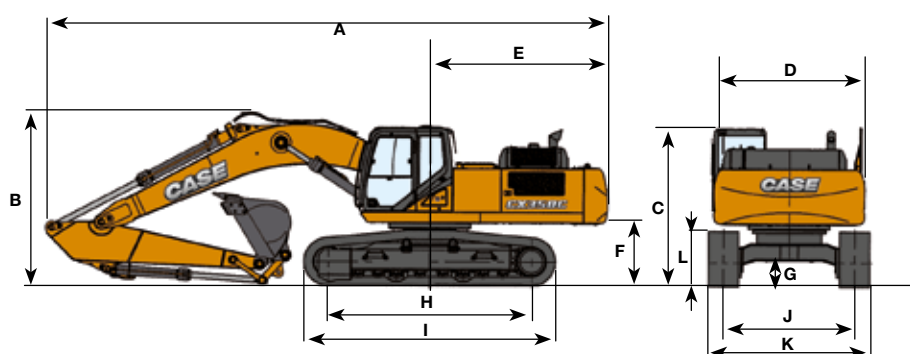
With 3.25 m arm, 1.4 m³ bucket, operator, lubricant, coolant, full fuel tank and top guard OPG level 2

350C NLC/LC	Weight (kg)	Ground pressure (MPa)
600 mm grouser shoe	34.600/34.700	0.065

370C NLC/LC	Weight (kg)	Ground pressure (MPa)
600 mm grouser shoe	36.700/36.800	0.069

General dimensions CX350C/CX370C

With 6.45 m boom



LC / NLC	Arm 3.25 m	Arm 2.21 m	Arm 2.63 m	Arm 4.04 m *
Overall length (without attachment)	6010 mm	6010 mm	6010 mm	6010 mm
A Overall length (with attachment)	11140 mm	11350 mm	11230 mm	11190 mm
B Overall height (with attachment)	3420 mm	3650 mm	3640 mm	3620 mm
C Cab height	3260 mm	3260 mm	3260 mm	3260 mm
D Upper structure overall width	3030 mm	3030 mm	3030 mm	3030 mm
E Swing (rear end radius)	3550 mm	3550 mm	3550 mm	3550 mm
F Clearance height under upper structure	1210 mm	1210 mm	1210 mm	1210 mm
G Minimum ground clearance	480 mm	480 mm	480 mm	480 mm
H Wheel base (Centre of idler to centre of sprocket)	4040 mm	4040 mm	4040 mm	4040 mm
I Crawler overall length	4980 mm	4980 mm	4980 mm	4980 mm
L Crawler tracks height	1090 mm	1090 mm	1090 mm	1090 mm

LC	Arm 3.25 m	Arm 2.21 m	Arm 2.63 m	Arm 4.04 m *
J Track gauge	2600 mm	2600 mm	2600 mm	2600 mm
K Undercarriage overall width (with 600 mm shoes)	3200 mm	3200 mm	3200 mm	3200 mm

NLC	Arm 3.25 m	Arm 2.21 m	Arm 2.63 m	Arm 4.04 m *
J Track gauge	2390 mm	2390 mm	2390 mm	2390 mm
K Undercarriage overall width (with 600 mm shoes)	2990 mm	2990 mm	2990 mm	2990 mm

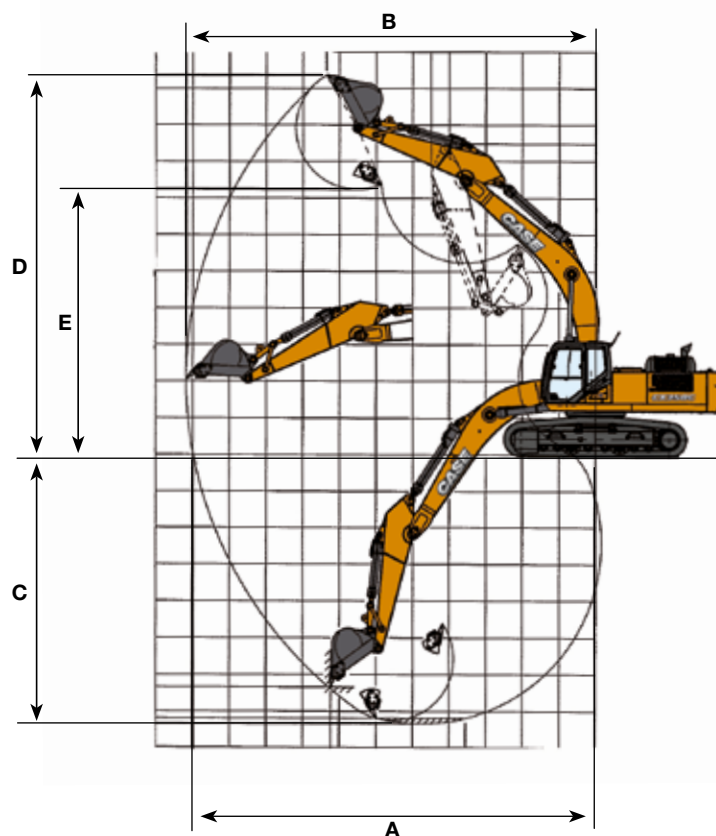
* CX350C only

CX C-SERIES HYDRAULIC EXCAVATORS

CX350C | CX370C

Performance data CX350C/CX370C

With 6.45 m boom



	Arm 3.25 m	Arm 2.21 m	Arm 2.63 m	Arm 4.04 m *)
Boom length	6450 mm	6450 mm	6450 mm	6450 mm
Bucket radius	1680 mm	1680 mm	1680 mm	1680 mm
Bucket wrist action	173°	173°	173°	173°
A Maximum reach at GRP	10980 mm	9990 mm	10470mm	11720 mm
B Maximum reach	11170 mm	10200 mm	10670 mm	11900 mm
C Max. digging depth	7340 mm	6300 mm	6730 mm	8140 mm
D Max. digging height	10370 mm	9850 mm	10320 mm	10670 mm
E Max. dumping height	7230 mm	6770 mm	7140 mm	7540 mm
Arm digging force	178.0 kN	246.0 kN	211.0 kN	152.0 kN
Bucket digging force	248.0 kN	248.0 kN	248.0 kN	228.0 kN

*) 350C only



CX C-SERIES HYDRAULIC EXCAVATORS

CX350C

Lifting capacity CX350C

Front 360°	REACH							
	1.5 m	3.0 m	4.5 m	6.0 m	7.5 m	9.0 m	10.5 m	At max reach

LC - Standard arm. 2.21 arm length, 1.6 m³ bucket, 600G shoes, max reach 9.76 m

9.0 m															7350*	7350*	6.83
7.5 m								7860*	6560						6880*	5480	8.20
6.0 m								7070	4490				6750*	4420			9.05
4.5 m					9280*	9250	8480*	6390	8990*	6100	6960	4380			6220	3870	9.55
3.0 m					13470*	13470*	10810*	8890	9220	5780	6780	4220			5870	3610	9.76
1.5 m					16300*	12880	12390*	8390	9220	5780	6780	4220					
0 m					18230*	11880	12820	7780	8910	5500	6620	4070			5830	3550	9.72
-1.5 m					18760*	11570	12460	7470	8690	5310	6520	3980			6080	3700	9.42
-3.0 m			16120*	16120*	18060*	11850	12420	7450	8660	5280					6720	4110	8.85
-4.5 m			21850*	21850*	16340*	12090	12380*	7620	8770	5510					7920*	4940	7.96
			17120*	17120*	13150*	12260	9720*	7930							7510*	6730	6.65

NLC - Standard arm. 2.21 arm length, 1.6 m³ bucket, 600G shoes, max reach 9.76 m

9.0 m															7350*	7140	6.83
7.5 m								7860*	6000						6880*	4990	8.20
6.0 m							9280*	8500	8480*	5830	7050	4060			6750*	4000	9.05
4.5 m					13470*	12920	10810*	8090	8990*	5540	6940	3950			6200	3480	9.55
3.0 m					16300*	11580	12390*	7510	9200	5230	6760	3790			5850	3230	9.76
1.5 m					18230*	10610	12790	7000	8890	4950	6600	3650			5810	3170	9.72
0 m					18760*	10310	12430	6700	8670	4760	6500	3550			6060	3310	9.42
-1.5 m			16120*	16120*	18060*	10580	12380	6680	8630	4740					6700	3680	8.85
-3.0 m			21850*	21210*	16340*	10820	12360*	6850	8750	4970					7920*	4440	7.96
-4.5 m			17120*	17120*	13150*	11130	9720*	7240*							7510*	6070	6.65

LC - Standard arm. 2.63 arm length, 1.6 m³ bucket, 600G shoes, max reach 10.20 m

9.0 m									5670*	5670*					5490*	5490*	7.53
7.5 m									7410*	6640					5100*	4810	8.77
6.0 m									7920*	6450	7100*	4540			4950*	3960	9.57
4.5 m					12720*	12720*	10260*	9010	8600*	6150	6980	4390			4960*	3490	10.03
3.0 m					15420*	13200	11920*	8390	9230*	5810	6780	4210			5080*	3260	10.23
1.5 m					17810*	12100	12820	7830	8920	5500	6590	4040			5340	3220	10.19
0 m					18670*	11620	12470	7460	8670	5270	6460	3920			5550	3340	9.91
-1.5 m	9150*	9150*	14260*	14260*	18350*	11720	12350	7380	8580	5200	6470	3930			6080	3680	9.37
-3.0 m	15940*	15940*	20640*	20640*	16970*	11940	12370	7500	8710	5340					7110	4350	8.54
-4.5 m			19230*	19230*	14260*	12240	10650*	7860							7090*	5690	7.33

NLC - Standard arm. 2.63 arm length, 1.46m³ bucket, 600G shoes, max reach 10.20 m

9.0 m									5670*	5670*					5490*	5490*	7.53
7.5 m									7410*	6080	7100*	4110			5100*	4370	8.77
6.0 m									7920*	6080	7100*	4110			4950*	3560	9.57
4.5 m					12720*	12720*	10260*	8200	7920*	5890	6960	3970			4960*	3120	10.03
3.0 m					15420*	11880	11920*	7600	8600*	5590	6760	3790			5080*	2910	10.23
1.5 m					17810*	10820	12800	7050	9210*	5250	6570	3620			5320	2860	10.19
0 m					18670*	10360	12440	6690	8890	4950	6440	3500			5530	2970	9.91
-1.5 m	9150*	9150*	14260*	14260*	18350*	10450	12320	6610	8640	4730	6450	3500			6060	3280	9.37
-3.0 m	15940*	15940*	20640*	20640*	16970*	10680	12340	6740	8560	4660					7090	3890	8.54
-4.5 m			19230*	19230*	14260*	11080	10650*	7100	8680	4790					7090	5120	7.33

* Hydraulic capacity 87%

Lifting capacity CX350C

Front 360°	REACH													
	1.5 m	3.0 m	4.5 m	6.0 m	7.5 m	9.0 m	10.5 m	At max reach		m				

LC - Standard arm. 3.25 arm length, 1.4 m³ bucket, 600G shoes, max reach 10.70 m

9.0 m																		3820*	3820*	8.23
7.5 m									6560*	6560*	5170*	4860						3580*	3580*	9.36
6.0 m									7360*	6720	6680*	4790						3500*	3500*	10.1
4.5 m					7070*	7070*	9620*	9290	8170*	6440	7180	4620	3880*	3370				3550*	3330	10.6
3.0 m				17980*	17980*	15760*	13930	11410*	8780	9210*	6080	7000	4420	5280*	3290			3670*	3130	10.7
1.5 m				7450*	7450*	18000*	12710	12890*	8180	9180	5750	6790	4230	5220	3190			3900*	3080	10.7
0 m				10470*	10470*	18870*	12020	12780	7750	8880	5480	6620	4080					4290*	3170	10.4
-1.5 m	10460*	10460*	14250*	14250*	18870*	11910	12550	7560	8740	5350	6550	4010						4910*	3440	9.91
-3.0 m	14460*	14460*	19120*	19120*	17960*	12040	12580	7610	8770	5400	6630	4100						5960*	3970	9.13
-4.5 m	19130*	19130*	22220*	22220*	15860*	12360	11850*	7840	8760*	5680								7330*	4980	8.01
-6.0 m			16100*	16100*	11830*	11830*	8320*	7960										7040*	7040*	6.40

NLC - Standard arm. 3.25 arm length, 1.4 m³ bucket, 600G shoes, max reach 10.70 m

9.0 m																		3820*	3820*	8.23
7.5 m									6560*	6150	5170*	4430						3580*	3580*	9.36
6.0 m									7360*	6160*	6680*	4360						3500*	3370	10.11
4.5 m					7070*	7070*	9620*	8530	8170*	5870	7170	4200	3880*	3030				3550*	2990	10.55
3.0 m				17980*	17980*	15760*	12590	11410*	7980	9210*	5520	6980	4000	5280*	2940			3670*	2800	10.73
1.5 m				7450*	7450*	18000*	11410	12890*	7400	9150	5190	6770	3800	5210	2850			3900*	2740	10.69
0 m				10470*	10470*	18870*	10740	12750	6970	8860	4940	6600	3650					4290*	2820	10.42
-1.5 m	10460*	10460*	14250*	14250*	18870*	10640	12520	6790	8710	4800	6530	3590						4910*	3070	9.91
-3.0 m	14460*	14460*	19120*	19120*	17960*	10780	12550	6840	8750	4850	6610	3680						5960*	3550	9.13
-4.5 m	19130*	19130*	22220*	21740*	15850*	7080	8750	5130										7330*	4480	8.01
-6.0 m			16100*	16100*	1180*	11210*	8320*	7280										7040*	6550	6.40

LC - Long arm. 4.04 arm length, 1.15 m³ bucket, 600G shoes, max reach 11.50 m

9.0 m												3620*	3620*					2970*	2970*	9.19
7.5 m												5300*	5010					2800*	2800*	10.20
6.0 m												5930*	4900	4160*	3520			2740*	2740*	10.88
4.5 m										7270*	6580	6650*	4700	5380*	3430			2770*	2770*	11.29
3.0 m						13740*	13740*	10340*	9010	8490*	6180	7050	4460	5350	3300			2870*	2710*	11.46
1.5 m						12600*	12600*	16890*	13060	12040*	8310	9200	5780	6800	4220	5200	3160	3050*	2650	11.42
0 m	5250*	5280*	11210*	11210*	18540*	12050	12770	7750	8870	5450	6580	4020	5080	3050	3050	3350*	2710	3350*	2710	11.17
-1.5 m	9180*	9180*	13540*	13540*	18780*	11620	12400	7400	8620	5230	6440	3890	5030	3000				3800*	2910	10.70
-3.0 m	12500*	12500*	17140*	17140*	18360*	11660	12330	7360	8570	5190								4540*	3290	9.98
-4.5 m	16980*	16980*	22600*	22600*	16980*	11890	12320	7510	8700	5330								5850*	3990	8.96
-6.0 m	21200*	21200*	19940*	19940*	14120*	12200*	10400*	7870	7160*	5490								6800	5410	7.53

NLC - Long arm. 4.04 arm length, 1.15 m³ bucket, 600G shoes, max reach 11.50 m

9.0 m												3620*	3620*					2970*	2970*	9.19
7.5 m												5300*	4580					2800*	2800*	10.20
6.0 m												5930*	4460	4160*	3170			2740*	2740*	10.88
4.5 m										7270*	6020	6650*	4270	5380*	3080			2770*	2570	11.29
3.0 m						13740*	12860	10340*	8200	8490*	5620	7030	4030	5330	2950			2870*	2400	11.46
1.5 m						12600*	12600*	16890*	11740	12040*	7520	9180	5230	6780	3800	5180	2810	3050*	2350	11.42
0 m	5250*	5250*	12210*	12210*	18540*	10770	12740*	6970	8840	4900	6560	3600	5060	2700	3350*	2400	3350*	2400	11.17	
-1.5 m	9180*	9180*	13540*	13540*	18780*	10360	12370	6630	8590	4680	6420	3470	5020	2660				3800*	2570	10.70
-3.0 m	12500*	12500*	17140*	17140*	18360*	10400	12300	6600	8550	4650	6420	3480						4540*	2920	9.98
-4.5 m	16980*	16980*	22600*	21530	16980*	10630	12290*	6750	8670	4780								5850*	3570	8.96
-6.0 m	21200*	21200*	19940*	19940*	14120*	11090	10400*	7140	7160*	4940								6800*	4860	7.53

* Hydraulic capacity 87%

CX C-SERIES HYDRAULIC EXCAVATORS

CX370C

Lifting capacity CX370C

Front 360°	REACH							
	1.5 m	3.0 m	4.5 m	6.0 m	7.5 m	9.0 m	10.5 m	At max reach

LC - HD arm. 2.21 arm length, 1.6 m³ HD bucket, 600G shoes, max reach 9.77 m

9.0 m															7060*	7060*	6.83
7.5 m								7510*	6890*						6590*	5720*	8.20
6.0 m						8930*	8930*	8110*	6710*	7030*	4670				6460*	4590*	9.06
4.5 m					13080*	13080*	10450*	9410	8610*	6410	7270	4560			6470	4000	9.55
3.0 m					15860*	13740	12000*	8790	9410*	6080	7090	4390			6100	3720	9.76
1.5 m					17770*	12680	13020*	8240	9380	5780	6920	4230			6060*	3670	9.72
0 m					18270*	12340	13200	7910	9150	5570	6810	4130			6330	3830	9.42
-1.5 m			15840*	15840*	17570*	12640	13000	7880	9100	5540					7020	4270	8.85
-3.0 m			21260*	21260*	15860*	12880	11940*	8050	8860	5780					7510*	5160	7.97
-4.5 m			16570*	16570*	12680*	12680*	9290*	8280*							7090*	7070*	6.66

NLC - HD arm. 2.21 arm length, 1.6 m³ HD bucket, 600G shoes, max reach 9.77 m

9.0 m															7070*	7070*	6.83
7.5 m									7120*	6290*					7030*	7030*	6.31
6.0 m							8930*	8930	8110*	6120	7030*	4220			6200*	6200*	5.60
4.5 m					13080*	13080*	10450*	8570	8610*	5820	7520	4110			6450	3590	9.55
3.0 m					15860*	12360	12000*	7960	9410*	5490	7070	3940			6090	3320	9.76
1.5 m					17770*	11330	13020*	7420	9350	5200	6900	3780			6040	3270	9.72
0 m					18270*	11010	13160	7100	9120	5000	6790	3690			6310	3410	9.42
-1.5 m			15840*	15840*	17570*	11290	13000	7070	9080	4970					7000	38200	8.85
-3.0 m			21260*	21260*	15860*	11540	11940*	7250	8860	5200					7510*	4630	7.97
-4.5 m			16570*	16570*	12680*	11720	9290*	7560							6460*	6460*	6.66

* Hydraulic capacity 87%

Lifting capacity CX370C

Front 360°	REACH							
	1.5 m	3.0 m	4.5 m	6.0 m	7.5 m	9.0 m	10.5 m	At max reach m

LC - HD arm. 2.63 arm length, 1.6 m³ HD bucket, 600G shoes, max reach 10.20 m

9.0 m								5400*	5400*					5020*	5020*	7.53
7.5 m								7090*	6890					4800*	4800*	8.77
6.0 m								7570*	6780	6740*	4720			4650*	4090*	9.57
4.5 m				12370*	12370*	9900*	9450	8230*	6460	7210	4570			4670	3600	10.04
3.0 m				15000*	14080	11540*	8890	9100*	6100	7090	4380			4790	3360	10.24
1.5 m				17370*	12920	12740*	8300	9390	5780	6890	4200			5070*	3310	10.19
0 m				18200*	12420	13170	7910	9120	5540	6750	4070			55600	3440	9.91
-1.5 m	8870*	8870*	13980*	13980*	17870*	12510	13030	7810	9030	5460	6760	4070		6330	3810	9.37
-3.0 m	15670*	15670*	20340*	20340*	16490*	12720	12270*	7940	9050	5590				6990*	4520	8.54
-4.5 m			18670*	18670*	13790*	12880	10220*	8240						6680*	5970*	7.33

NLC - HD arm. 2.63 arm length, 1.6 m³ HD bucket, 600G shoes, max reach 10.20 m

9.0 m								5400*	5400*					5200*	5200*	7.53
7.5 m								7090*	6380					4800*	4540	8.77
6.0 m								7570*	6180	6740*	4270			4650*	3680	9.57
4.5 m				12370*	12370*	9900*	8690	8230*	5870	7200*	4130			4670*	3210	10.04
3.0 m				15000*	12960	11540*	8060	9100*	5520	7070	3940			4790*	2980	10.24
1.5 m				17370*	11560	12740*	7480	9370	5210	6870	3760			5070*	2930	10.19
0 m				18200*	11080	13140	7100	9100	4970	6730	3630			5560*	3630	9.91
-1.5 m	8870*	8870*	13980*	13980*	17870*	11170	13000*	7010	9000	4890	6740	3630		6310	3630	9.37
-3.0 m	15670*	15670*	20340*	20340*	16490*	11390	12270*	7130	9030	5020				6990*	4050	8.54
-4.5 m			18670*	18670*	13790*	11700	10220*	7490						6680*	5370	7.33

LC - HD arm. 3.25 arm length, 1.4 m³ HD bucket, 600G shoes, max reach 10.70 m

9.0 m														3480*	3480*	8.23	
7.5 m								6240*	6240*	4830*	4830*			3240*	3240*	9.37	
6.0 m								6890*	6800*	6180*	4890			3150*	3150*	10.1	
4.5 m				6810*	6810*	9130*	9130*	7660*	6660	6750*	4710	3540*	3360	3190*	3190*	10.6	
3.0 m			17560*	17560*	15180*	14370*	10870*	9170	8670*	6270	7180	4490	4950*	3260	3320*	3090	10.7
1.5 m			7110*	7110*	17340*	13340	12300*	8510	9440	5900	6970	4270	5100*	3160	3550*	3030	10.7
0 m			10150*	10150*	18170*	12580	13050*	8030	9200	5610	6790	4100			3950*	3130	10.4
-1.5 m	10140*	10140*	13910*	13910*	18130*	12450	13070	7810	9030	5450	6710	4030			4570*	3420	9.92
-3.0 m	14150*	14150*	18750*	18750*	17220*	12590	12650*	7860	9070	5500	6780	4130			5620*	3990	9.14
-4.5 m	18780*	18780*	21320*	21320*	15130*	12930	11210*	8110	8180*	5810					6770*	5070	8.01
-6.0 m			15270*	15270*	11150*	11150*	7720*	7720*							6460*	6460*	6.4

NLC - HD arm. 3.25 arm length, 1.4 m³ HD bucket, 600G shoes, max reach 10.70 m

9.0 m														3480*	3480*	8.23	
7.5 m								6240*	6240*	4830*	4510			3240*	3240*	9.37	
6.0 m								6890*	6370	6180*	4430			3150*	3150*	10.1	
4.5 m				6810*	3810*	9130*	8840	7660*	6060	6750*	4250	3540*	3000	3190*	2950	10.6	
3.0 m			17560*	17560*	15180*	13270*	10870*	8330	8670*	5680	7170	4040	4950*	2900	3320*	2740	10.7
1.5 m			7110*	7110*	17340*	11970	12300*	7680	9420*	5320	6950	3830	5100*	2800	3550*	2680	10.7
0 m			10150*	10150*	18170*	11230	13050*	7210	9180	5030	6770	3660			3950*	2770	10.4
-1.5 m	10140*	10140*	13910*	13910*	18130*	11110	13040	7000	9000	4880	6690	3580			4570*	3030	9.92
-3.0 m	14150*	14150*	18750*	18750*	17220*	11260	12650*	7060	9040	4930	6760	3680			5620*	3550	9.14
-4.5 m	18780*	18780*	21320*	21320*	15130*	11590	11210*	7310	8180*	5230					6770*	4550	8.01
-6.0 m			15270*	15270*	11150*	11150*	7720*	7440							6460*	6460*	6.4

* Hydraulic capacity 87%

Standard Equipment

ENGINE

Isuzu 6-cylinder turbo-charged diesel
Certified Tier 4 interim (CEGR)
Electronic fuel injection
High pressure common rail system
Variable geometry turbo charger
Triple exhaust gas recirculation
Diesel Particulate Diffuser System (DPD)
Neutral safety start
Auto-engine warm up, emergency stop
Glow-plug pre-heat
Idle System:
Auto-idle
One-touch idle
Idle shut-down
EPF (Engine Protection Feature)
Dual-stage fuel filtration
Dual element air filter
Remote oil filter
Green plug oil drain
500-hour engine oil change interval
Refuelling Pump

HYDRAULICS

Auto power boost
Auto swing priority

Auto travel speed change
Selectable work modes
Overload warning device
SWC - swing relief control
SSC - spool stroke control
BEC - boom economy control
AEC - auto economy control
SEC - swing economy control
ISO pattern controls
Pre-set auxiliary pump settings
Switch controlled auxiliary selection
Auxiliary valve
Auxiliary pipe brackets
5,000 hour hydraulic oil change interval
1,000 hour hydraulic filter change interval
Hydraulic track adjustment
SAHR brake

UPPERSTRUCTURE

Isolation mounted cab (fluid and spring)
Common key vandal locks
Swivel guard belly pan
Rear view safety camera

ATTACHMENTS

Standard boom 6.15 m
Arm 3.18 m

Bucket linkage with hook
Boom mounted work light (70 watt)
Auxiliary pipe brackets
Centralized lube bank
Attachment cushion valve
Arm and boom regeneration
Arm and boom hose burst check valves

OPERATOR STATION

ROPS protection
FOPS guard OPG level II
Pressurized cab
Tempered safety glass
One-touch lock front window
Sun visor & rain deflector
AC/heat/defrost w/ auto climate control
Hot & coolbox, cup holder & ashtray
Interior dome light
Cloth covered air-suspension seat
Seat-belt
Adjustable armrests
Tilting consoles - 4-position
Low-effort controls (short)
Sliding cockpit (180 mm)
Controls pre-wired for auxiliary
Auxiliary select system
Straight travel

Aux-in port for personal electronics
Multifunction color monitor
Rear-view camera
Anti-theft system (start code system)
Rubber floor mat
12-volt electric socket
24-volt cigarette lighter
One-piece right hand window
2 internal & 3 external view mirrors
2 working lights (boom & upperstructure)
2 cab top working lights
Windshield wiper / washer
Clear (Lexan) roof window w/ sunshade
Storage compartments
On-board diagnostic system
Travel alarm with cancel switch

UNDERCARRIAGE

600 mm steel shoes, triple semigrouser
Full overlap turntable bearing tub
Single track guide

Optional Equipment

HYDRAULICS

Auxiliary Hydraulics -
Single acting pedal activated breaker circuit
Pedal activated multifunction circuit
Pedal activated multifunction circuit with pressure control
Pedal activated low-flow circuit

Switch controlled auxiliary selection

ATTACHMENTS

Arm - 2.65/3.66 m
Hydr. or mech quickcoupler
Buckets: Extreme / Heavy duty / GP / ditching
Hammers, shears, grapples

OPERATOR STATION

Front cab guard - vertical bars (OPG level 2)
Front cab guard - vertical bars (OPG level 1)
Front mesh screen
AM/FM CD/radio with antenna and 2-speakers
Side-view camera

UPPERSTRUCTURE

Auto centralized greasing system
Rubber bumper guard (order through Service Parts)

UNDERCARRIAGE

steel shoes, triple semi-grouser
700mm, 800mm (LC only)
Multiple track guides

Standard and optional equipment shown can vary by country.

Worldwide Case Construction Equipment Contact Information

EUROPE:
via Plava, 80
10135 TORINO - ITALIA

AFRICA/MIDDLE EAST/CIS:
Riva Paradiso 14
6902 Paradiso - SWITZERLAND

NORTH AMERICA/MEXICO:
700 State Street
Racine, WI 53404 U.S.A.

LATIN AMERICA:
Av. General David Sarnoff 2237
32210 - 900 Contagem - MG
Belo Horizonte BRAZIL

ASIA PACIFIC:
Unit 1 - 1 Foundation Place - Prospect
New South Wales - 2148 AUSTRALIA

CHINA:
No. 29, Industrial Premises, No. 376,
De Bao Road, Waigaoqiao Ftz, Pudong,
SHANGHAI, 200131, P.R.C.

CASE Construction Equipment
CNH UK Ltd
Unit 4, Hayfield Lane Business Park,
Field Lane, Auckley, Doncaster,
DN9 3FL
Tel. 00800-2273-7373
Fax +44 1302 802829



CASE Customer Assistance
00800-2273-7373

The call is free from a land line. Check in advance with your Mobile Operator if you will be charged.



NOTE: Standard and optional fittings can vary according to the demands and specific regulations of each country. The illustrations may include optional rather than standard fittings - consult your Case dealer. Furthermore, CNH reserves the right to modify machine specifications without incurring any obligation relating to such changes.

Conforms to directive 2006/42/CE



Test it at the CASE Customer Centre Paris!

www.casece.com

